


SIDNEY Labelling Standard - PET Bottle

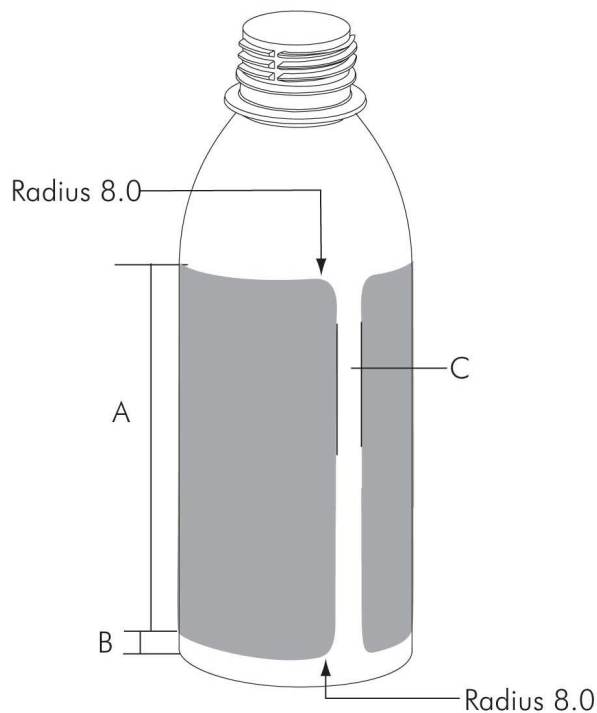
Below is **SIDNEY's** labelling standard specification for reference, however the quality of the label example design, printing colour standard, finishing, adhesive and etc is customer responsibility.

Roll Specification

Descriptions	Remarks
Roll pattern - Front label	
Roll maximum diameter	Outer diameter 320mm
Core size	Inner diameter 76mm
Gap between each label ends in a roll	Min 3mm
Recommended Materilas	PE or Paper Material

Label Specification

Items	Descriptions	Remarks
A	Label height	Max 140mm
B	Label level	Subject to bottle design
C	Gap after label	Min 3mm



Not to scale

Prepared by: Design Department Head	Verified by: QA/QC Department Head	Approved by: Production Head
Date:	Date:	Date:



Certified to ISO 9001:2000
REG. No. AR1881



Certified to ISO 14001:2004
REG. No. SO4590001



勝利工業有限公司

SIDNEY INDUSTRIES SDN. BHD. 196659-V

Lot 60819, Taman Meru Industrial Estate Phase 3A,

Jalan Jelapang, 30020 Ipoh, Perak, Malaysia


Tel: +60 5 526 8826 Fax: +60 5 526 8226

www.sidney.com.my

SIDNEY Labelling Standard - SQUEEZE TUBE

Below is **SIDNEY's** labelling standard specification for reference, however the quality of the label example design, printing colour standard, finishing, adhesive and etc is customer responsibility.

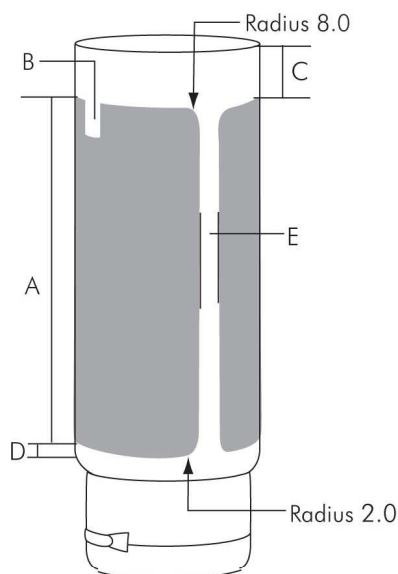
Roll Specification

Descriptions	Remarks
Roll pattern - Front label	
Roll maximum diameter	Outer diameter 320mm
Core size	Inner diameter 76mm
Gap between each label ends in a roll	Min 3mm
Recommended Material	PE Material

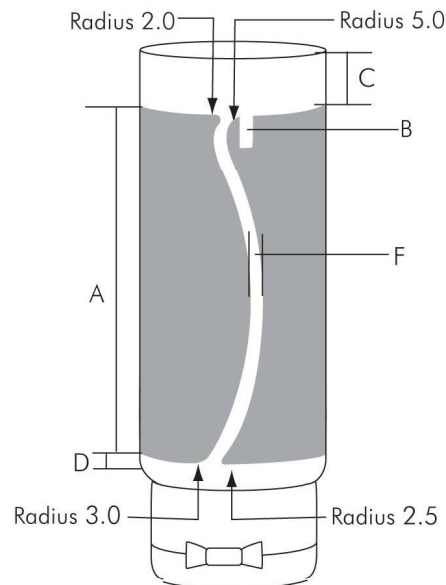
Label Specification

Items	Descriptions	Remarks
A	Label height	Max 140mm
B	Eye mark	Min 3mm x 6mm
C	Sealing area allocation	20 (± 1)mm
D	Label level	5 (± 1)mm
E	Gap after label - Side gap	Min 3mm
F	Gap after label - Center gap	Min 2mm

Gap after label - Side gap



Gap after label - Center gap



Not to scale

Prepared by: Design Department Head	Verified by: QA/QC Department Head	Approved by: Production Head
Date:	Date:	Date:



Certified to ISO 9001:2000
REG. No. AR1881



Certified to ISO 14001:2004
REG. No. SO4590001



勝利工業有限公司

SIDNEY INDUSTRIES SDN. BHD. 196659-V

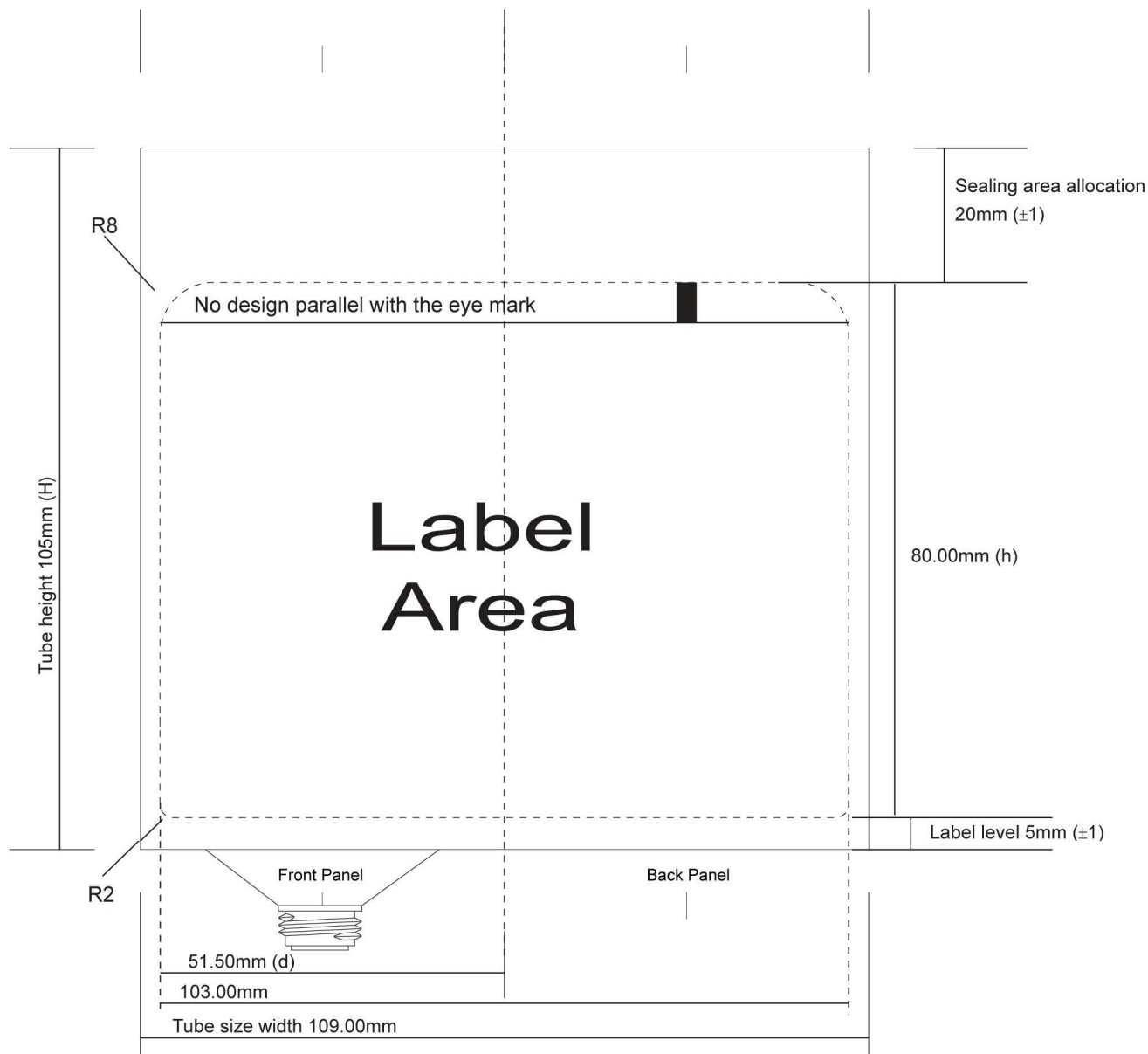
Lot 60819, Taman Meru Industrial Estate Phase 3A,

Jalan Jelapang, 30020 Ipoh, Perak, Malaysia

Tel: +60 5 526 8826 Fax: +60 5 526 8226

www.sidney.com.my

SIDNEY Label Layout For SQUEEZE TUBE



Example:

Tube Sizes (D) x (H)	Label Area (d) x (h)
D35 x 105	51.5 x 80.0



勝利工業有限公司

SIDNEY INDUSTRIES SDN. BHD. 196659-V
 Lot 60819, Taman Meru Industrial Estate Phase 3A,
 Jalan Jelapang, 30020 Ipoh, Perak, Malaysia
 Tel: +60 5 526 8826 Fax: +60 5 526 8226
www.sidney.com.my